

Bourdon Tube Pressure Gauges

Standard Series

Type 111.10SP

WIKA Datasheet 111.10SP

Applications

- Fire sprinkler systems
- Suitable for all media that will not obstruct the pressure system or attack copper alloy parts

Special Features

- UL-listed (UL-393), United States and Canada
- Factory Mutual (FM) approved
- Reliable and economical



Bourdon Tube Pressure Gauge Type 111.10SP

Standard Features

Design

EN 837-1 & ASME B40.100

Sizes

4" (100 mm)

Accuracy class

± 3/2/3% of span (ASME B40.100 Grade B)

Ranges

0/80 psi, retard to 250 psi (air)

0/300 psi (water)

Working pressure

Steady: 3/4 of full scale value

Fluctuating: 2/3 of full scale value

Short time: full scale value

Operating temperature

Ambient: -40°F to 140°F (-40°C to 60°C)

Media: 140°F (+60°C) maximum

Temperature error

Additional error when temperature changes from reference temperature of 68°F (20°C) ±0.4% for every 18°F (10°C) rising or falling. Percentage of span.

Bourdon tube

Material: copper alloy

C-type

Pressure connection

Material: copper alloy

1/4" NPT lower mount (LM)

Movement

Copper alloy

Dial

White aluminum with stop pin; black and red lettering

Pointer

Black aluminum

Case

Black polycarbonate

Window

Snap-in clear polycarbonate

Approvals

UL listed (UL-393)

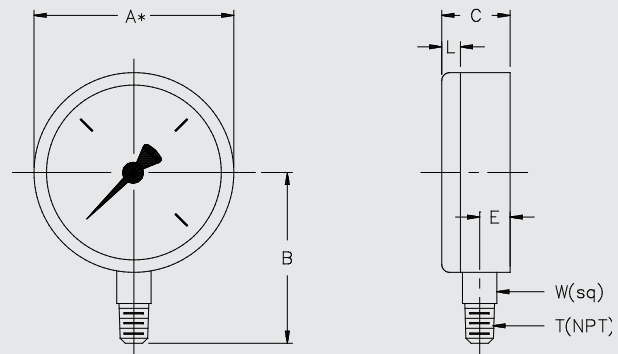
Factory Mutual

Optional Extras

(not all options are UL or FM approved)

- Brass restrictor
- Black-painted steel case
- Custom dial layout
- Other dual scales in combination with psi are available:
bar, kPa, MPa, kg/cm²

Dimensions



Size		A	B	C	E	L	T	W	Weight
4"	mm	100	71	30	11.5	3.75		14	
	in	4.0	2.79	1.18	0.45	0.15	1/4"	0.55	0.35 lb.

Ordering information

Pressure gauge model / Nominal size / Scale range / Size of connection / Optional extras required
Specifications and dimensions given in this leaflet represent the state of engineering at the time of printing.
Modifications may take place and materials specified may be replaced by others without prior notice.



WIKA Instrument Corporation
1000 Wiegand Boulevard
Lawrenceville, GA 30043-5868
Tel: 888-WIKA-USA • 770-513-8200
Fax: 770-338-5118
E-Mail: info@wika.com
www.wika.com